

Broil King®



Broil King Imperial™

490

9568-82

9568-83

9568-86

9968-82

9968-83

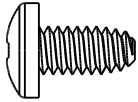
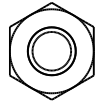
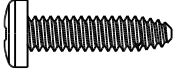

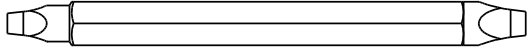

9968-86

Onward

SINCE 1906
MANUFACTURING COMPANY
585 KUMPF DRIVE LIMITED
WATERLOO, ONTARIO, CANADA
N2V 1K3

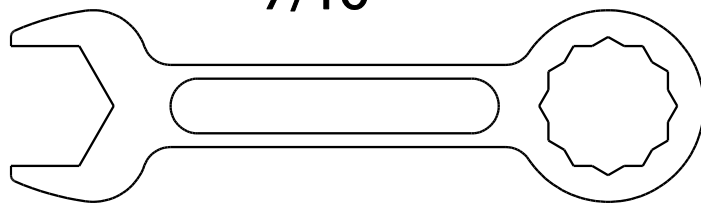
20084-E85EU REV D 10/18

HARDWARE INCLUDED / MATERIAL INCLUS / EQUIPOS INCLUIDO

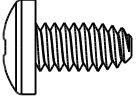
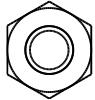
<p>Y-12865</p>  <p>X24</p>	<p>Y-11793</p>  <p>X8</p>
<p>Y-29306</p>  <p>X4</p>	   <p>#3 ROBERTSON</p> <p>#2 ROBERTSON</p>

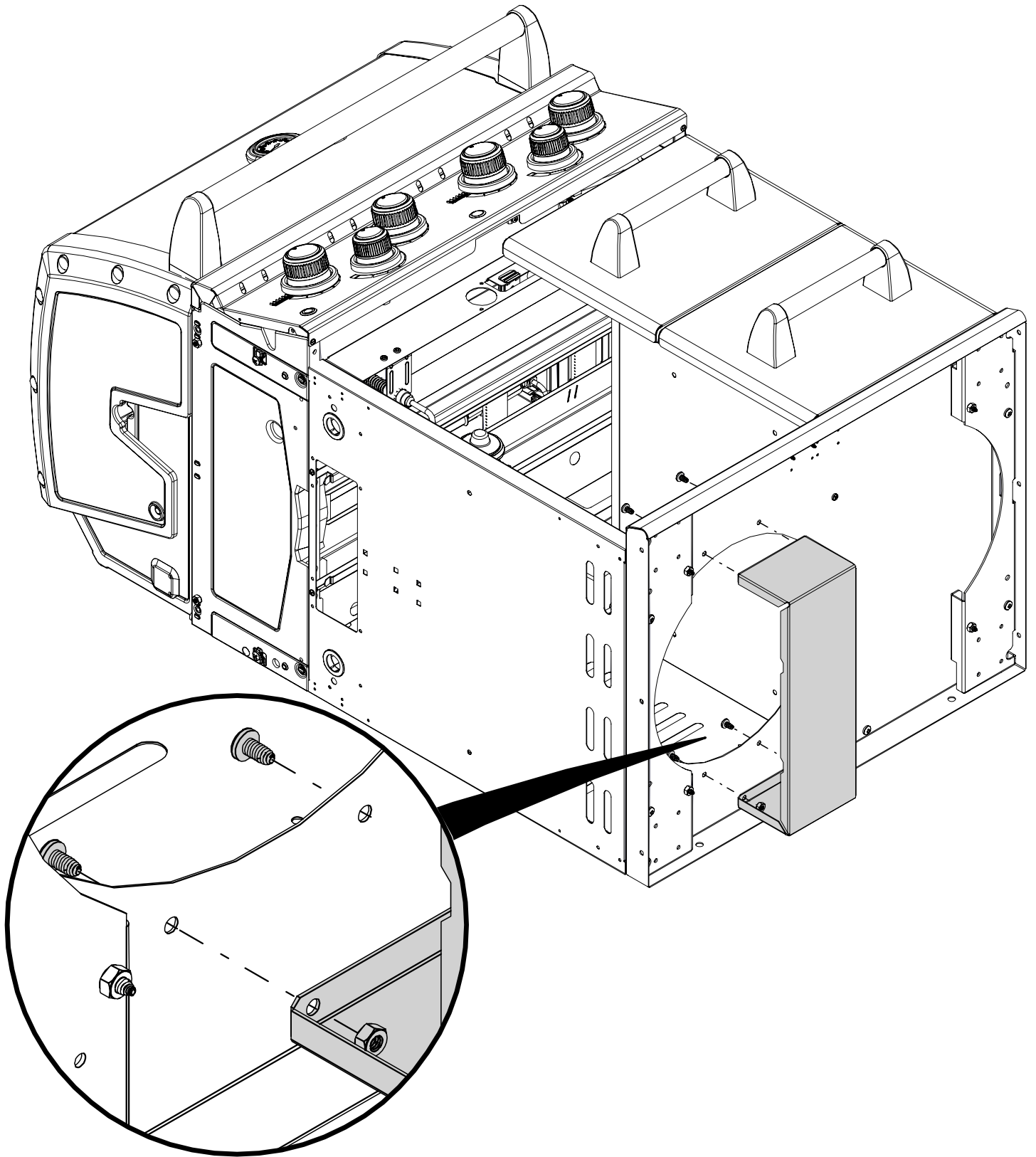
TOOLS REQUIRED / OUTILS NECESSAIRES / HERRAMIENTAS NECESARIAS

7/16"

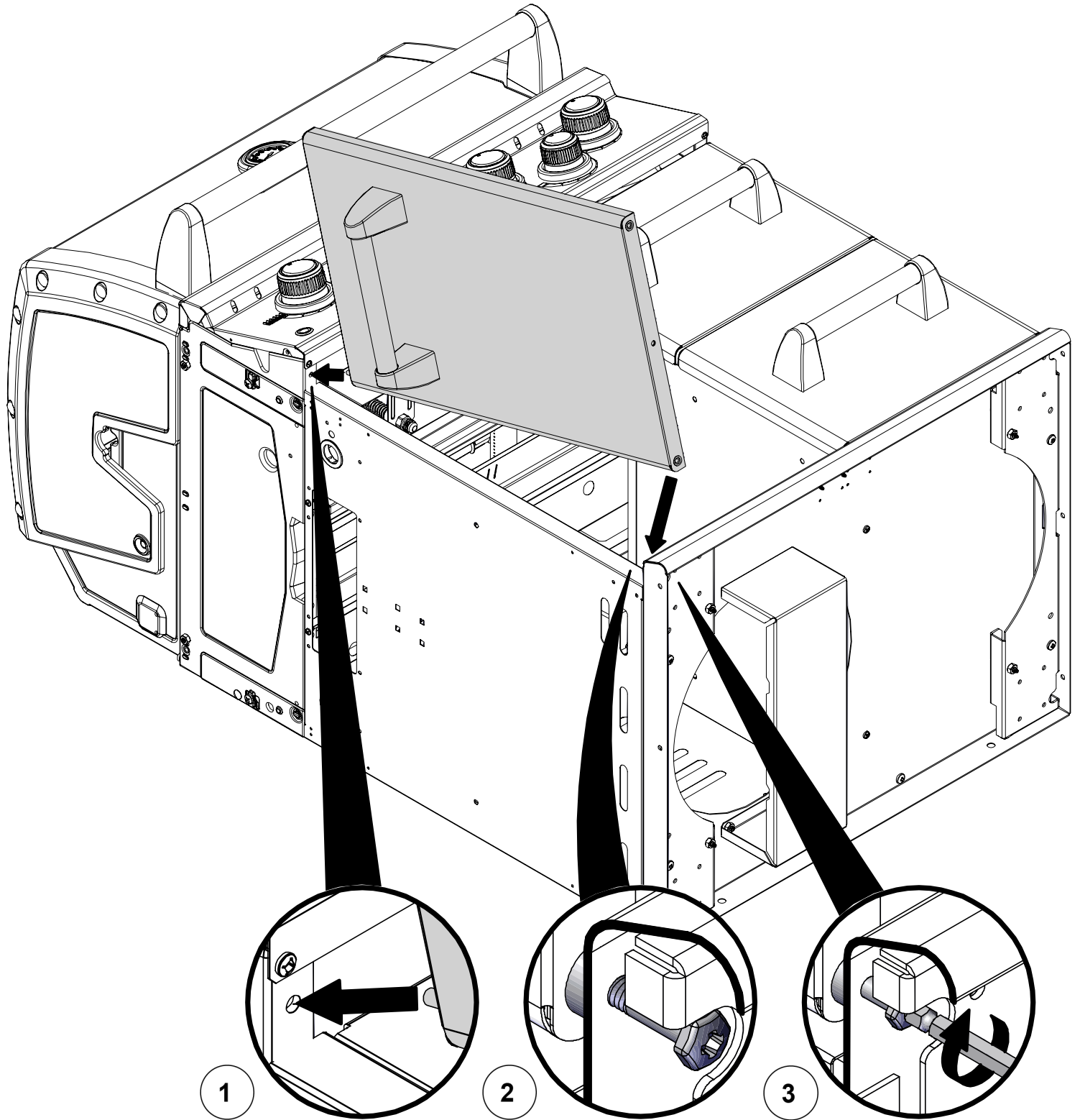


1

(4)  (4) 

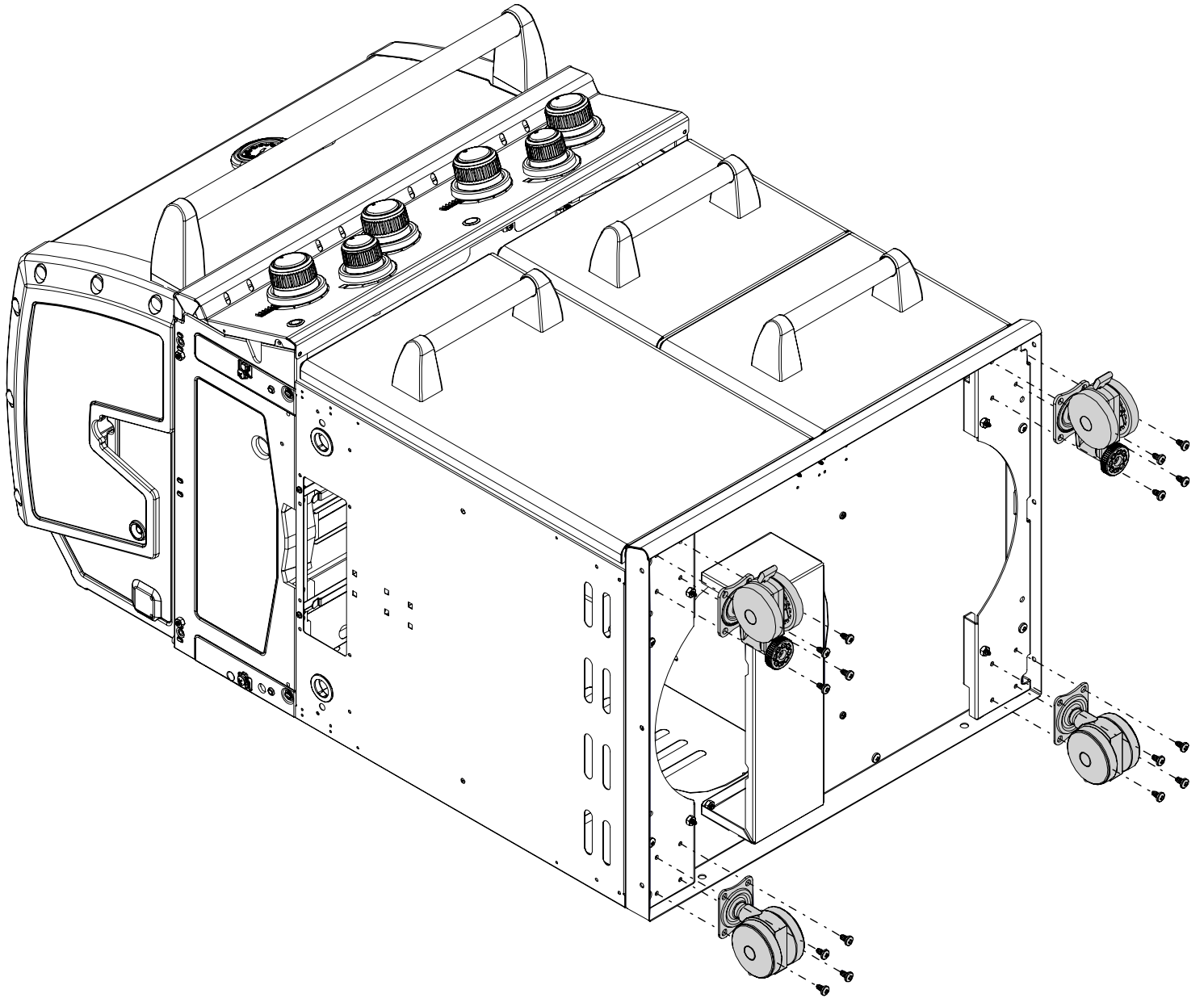
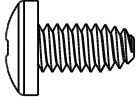


2

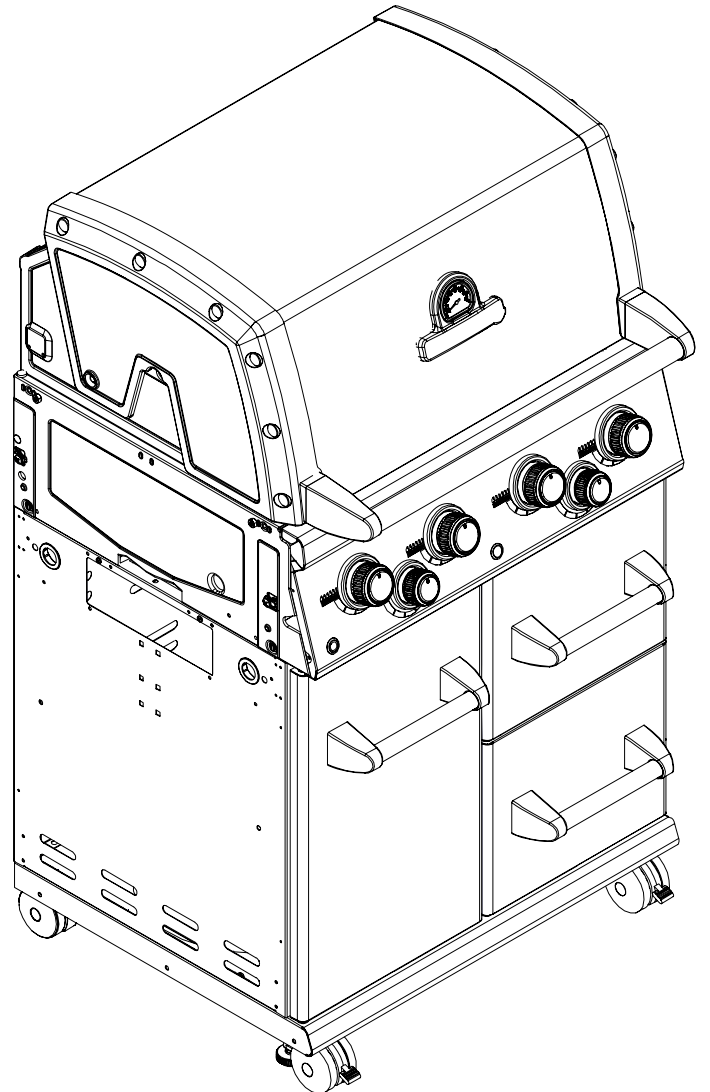
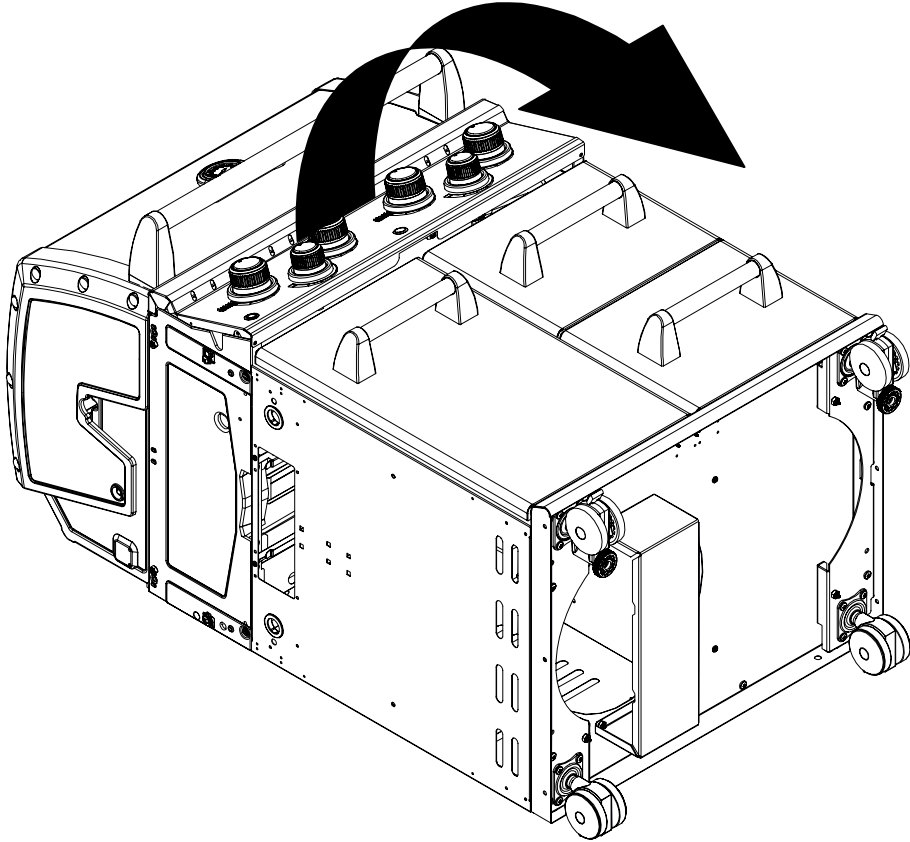


3

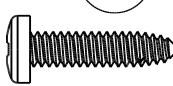
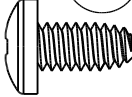

(16)

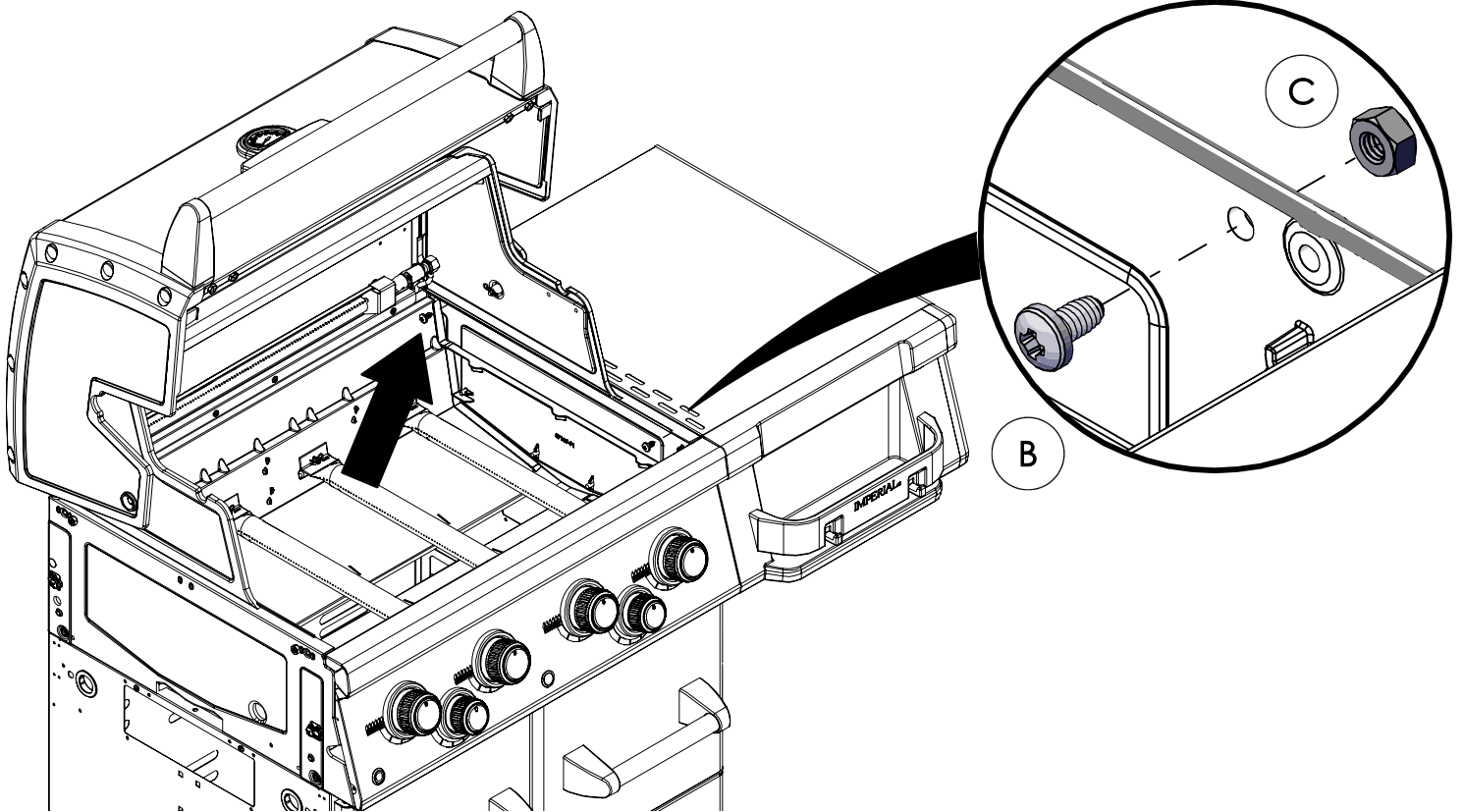
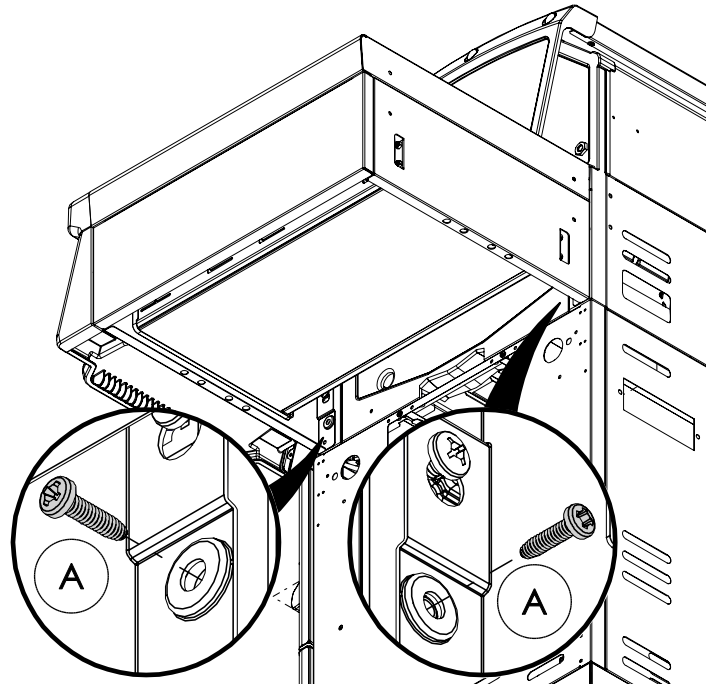
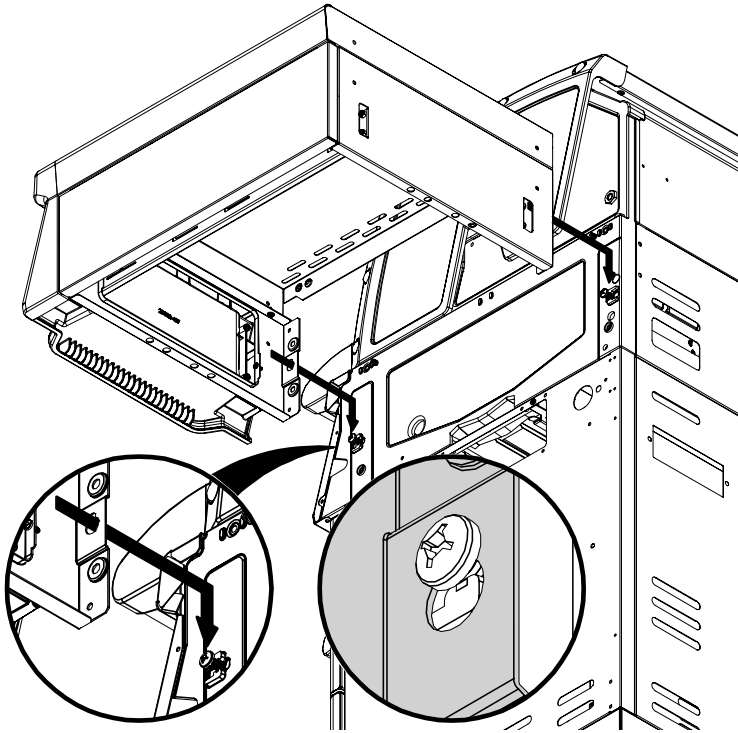


4

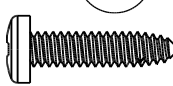
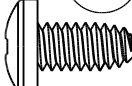



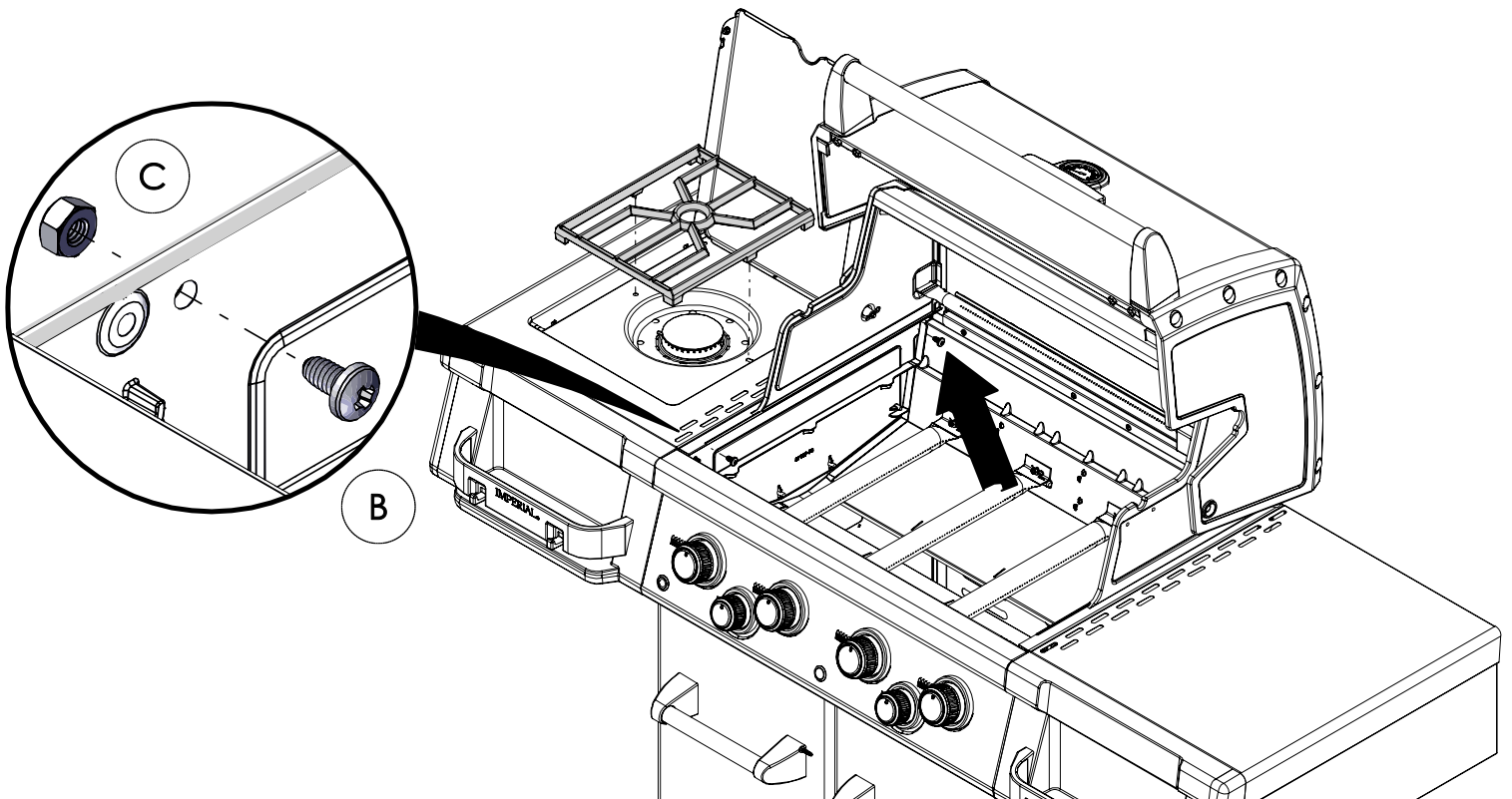
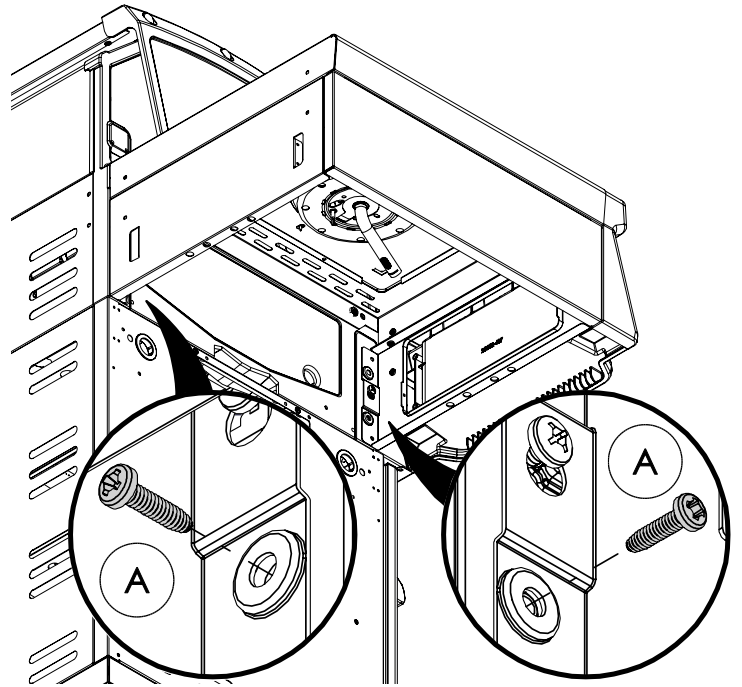
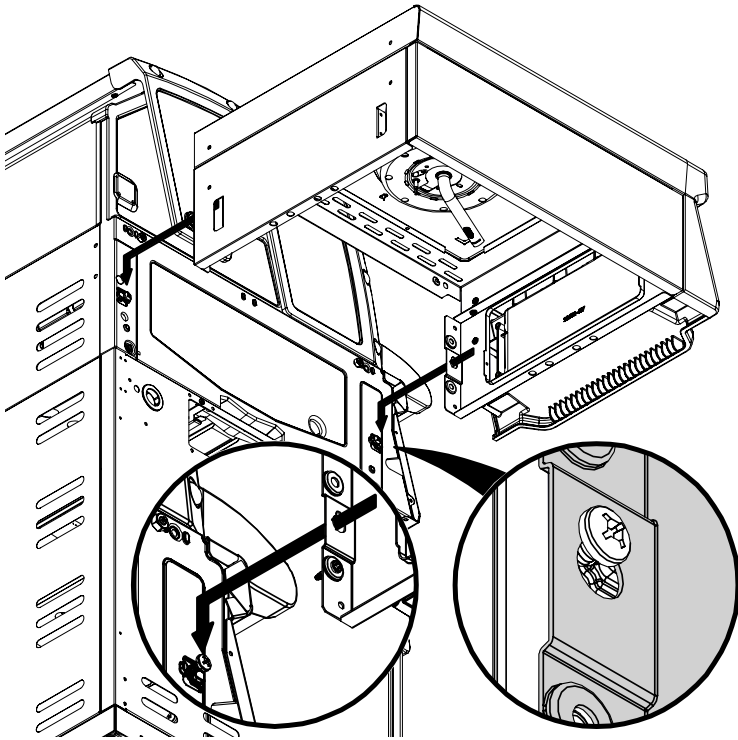
5

- (2) **A** 
- (2) **B** 
- (2) **C** 



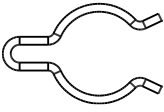
6

- (2) **A** 
- (2) **B** 
- (2) **C** 

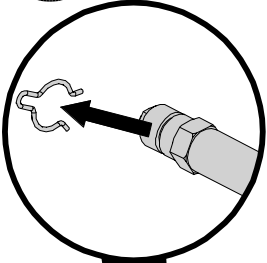


7

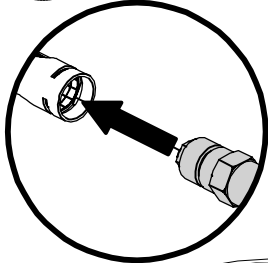
(1)



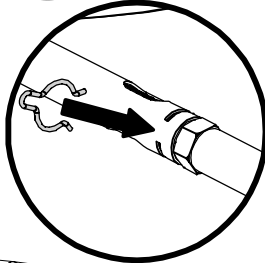
1



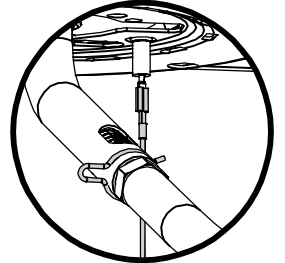
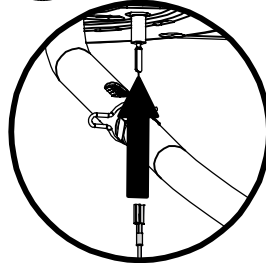
2



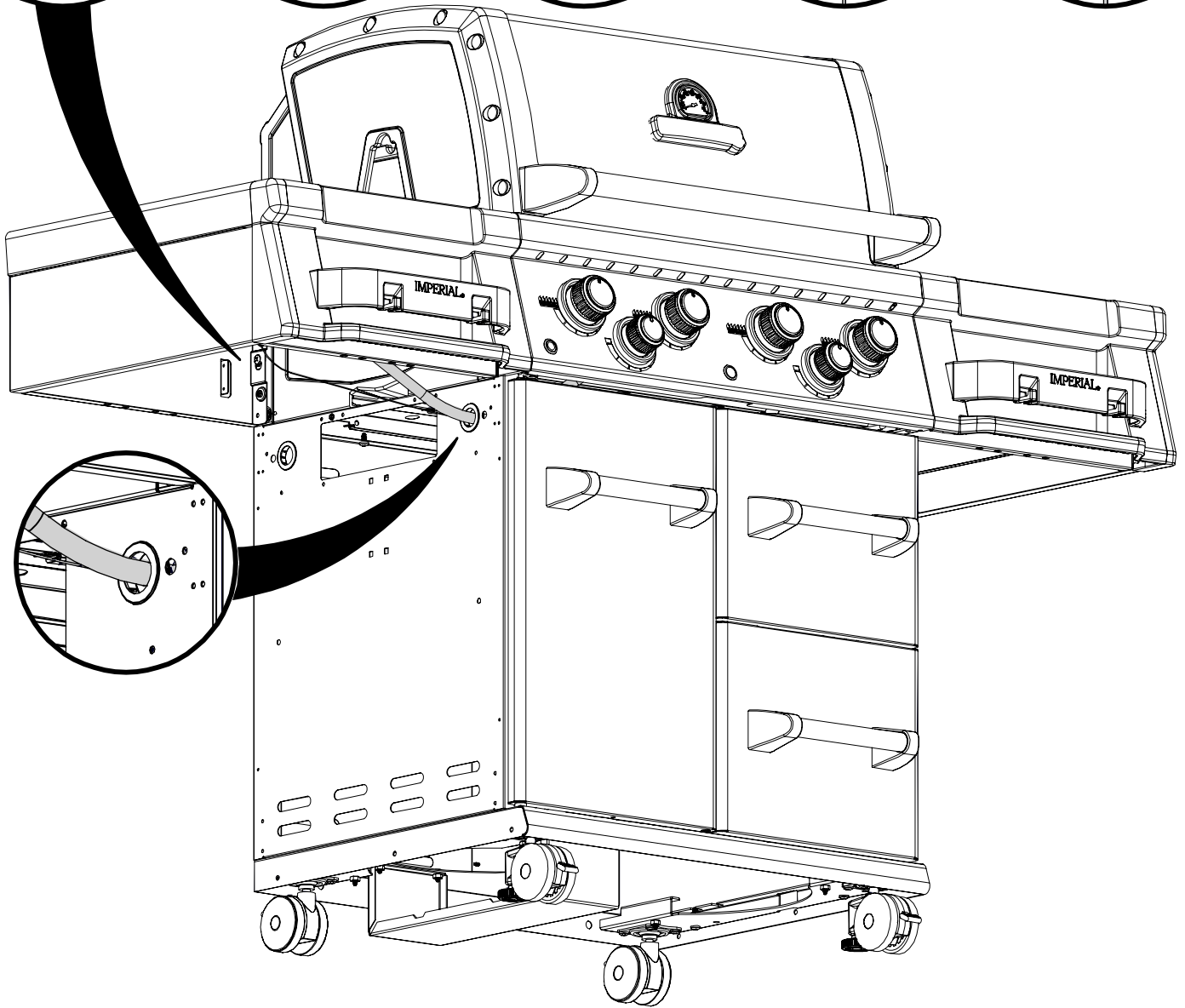
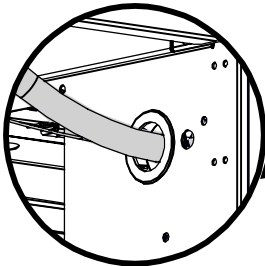
3



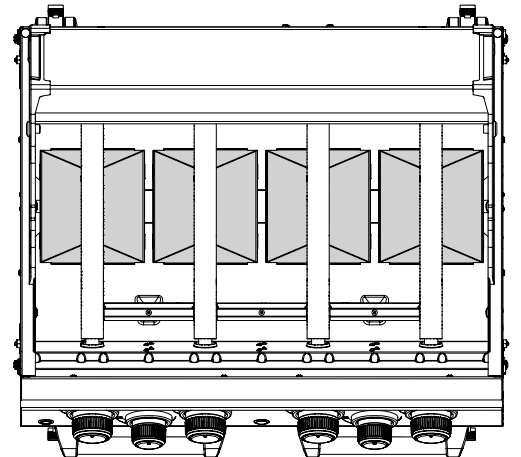
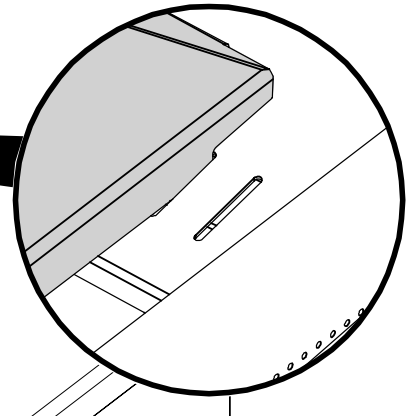
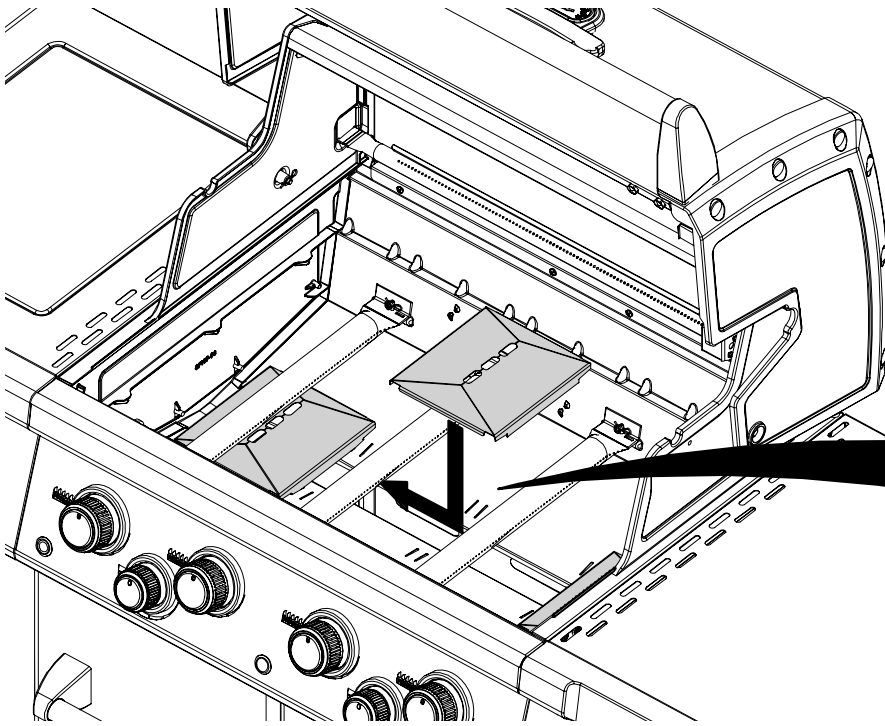
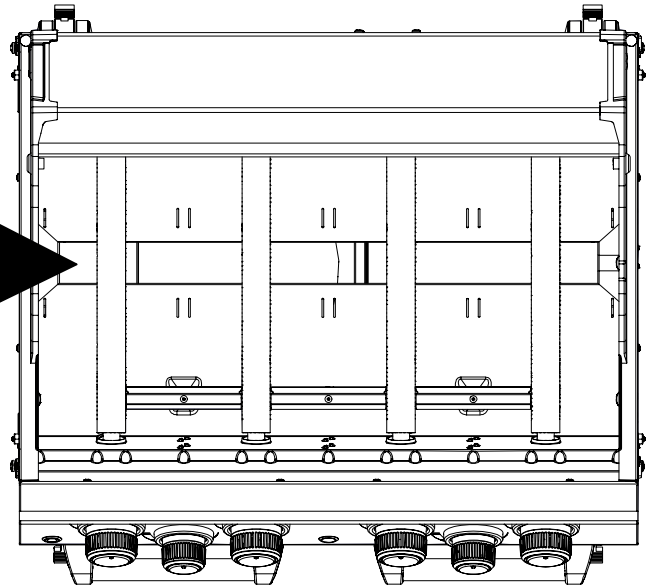
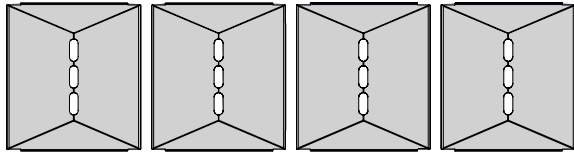
4

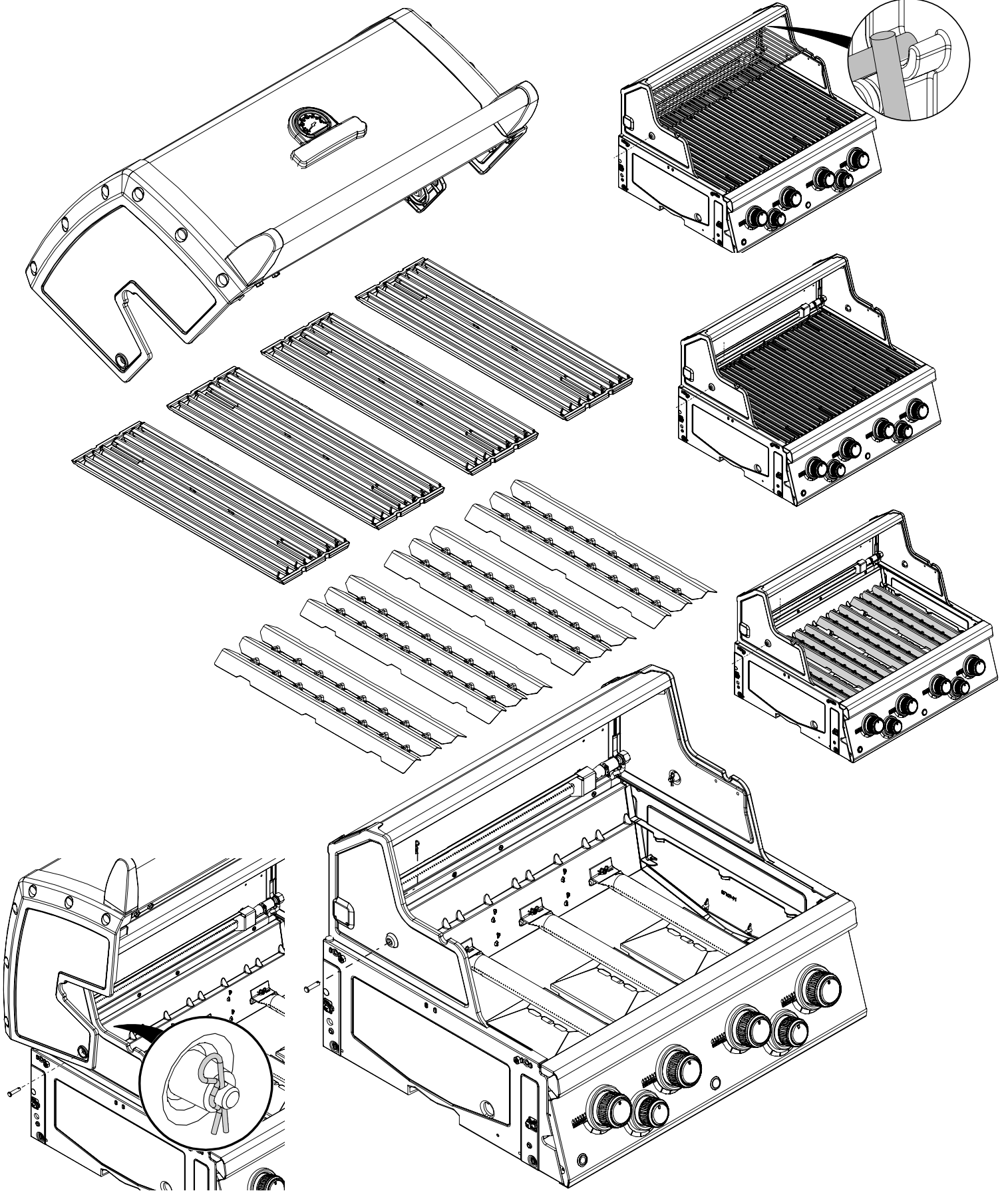


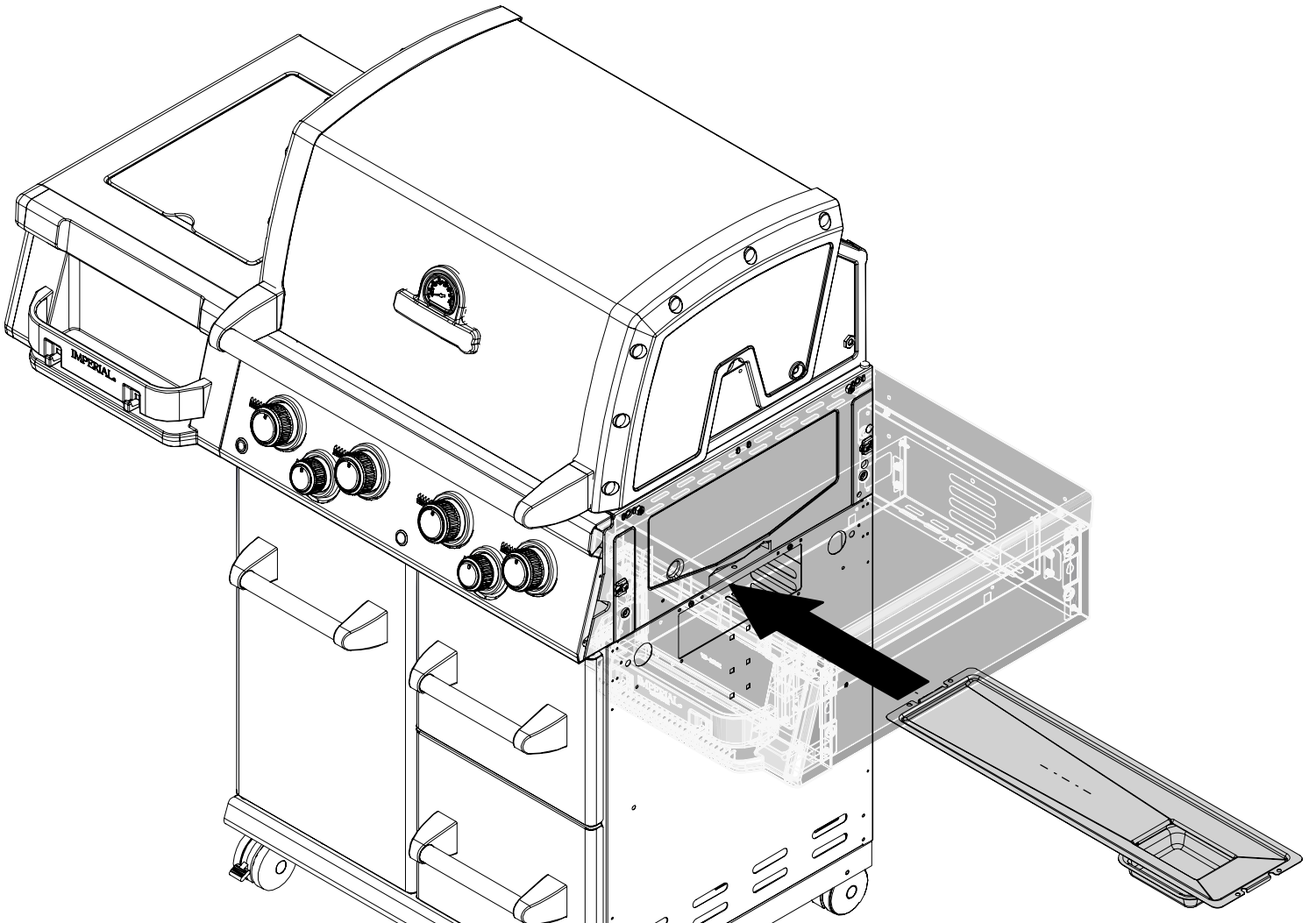
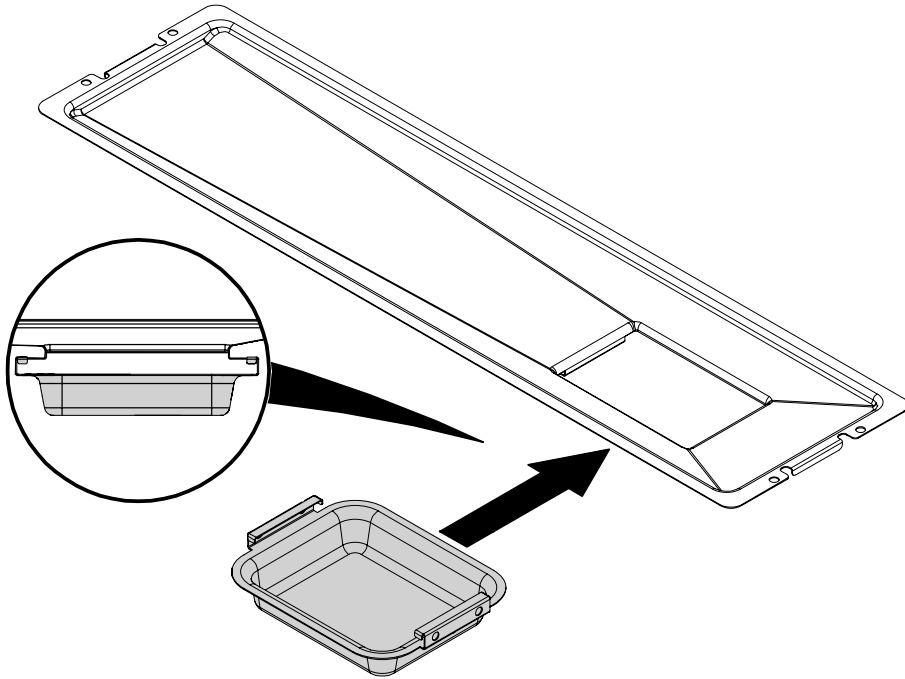
!



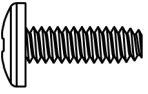
8

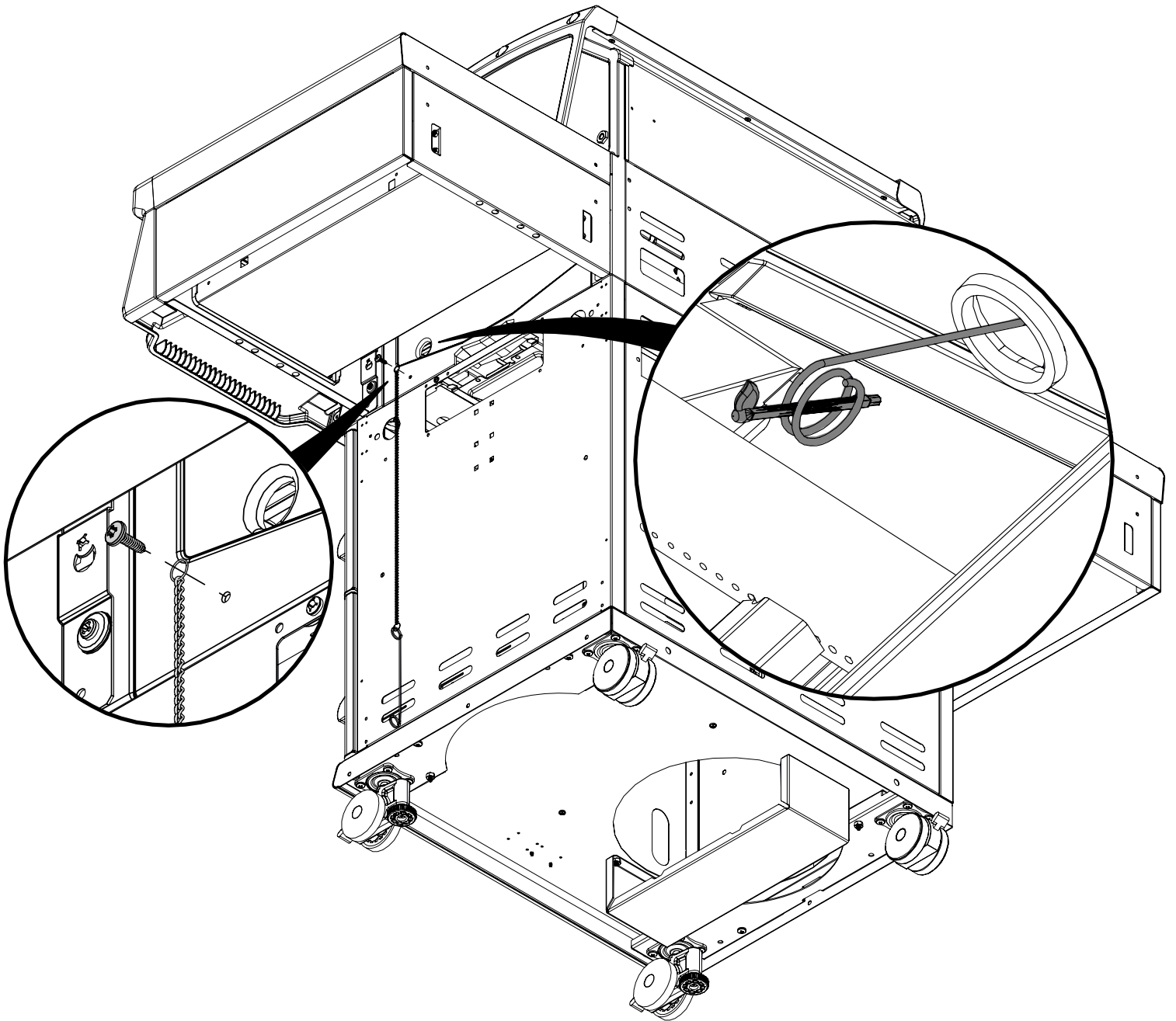




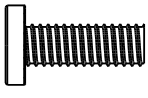



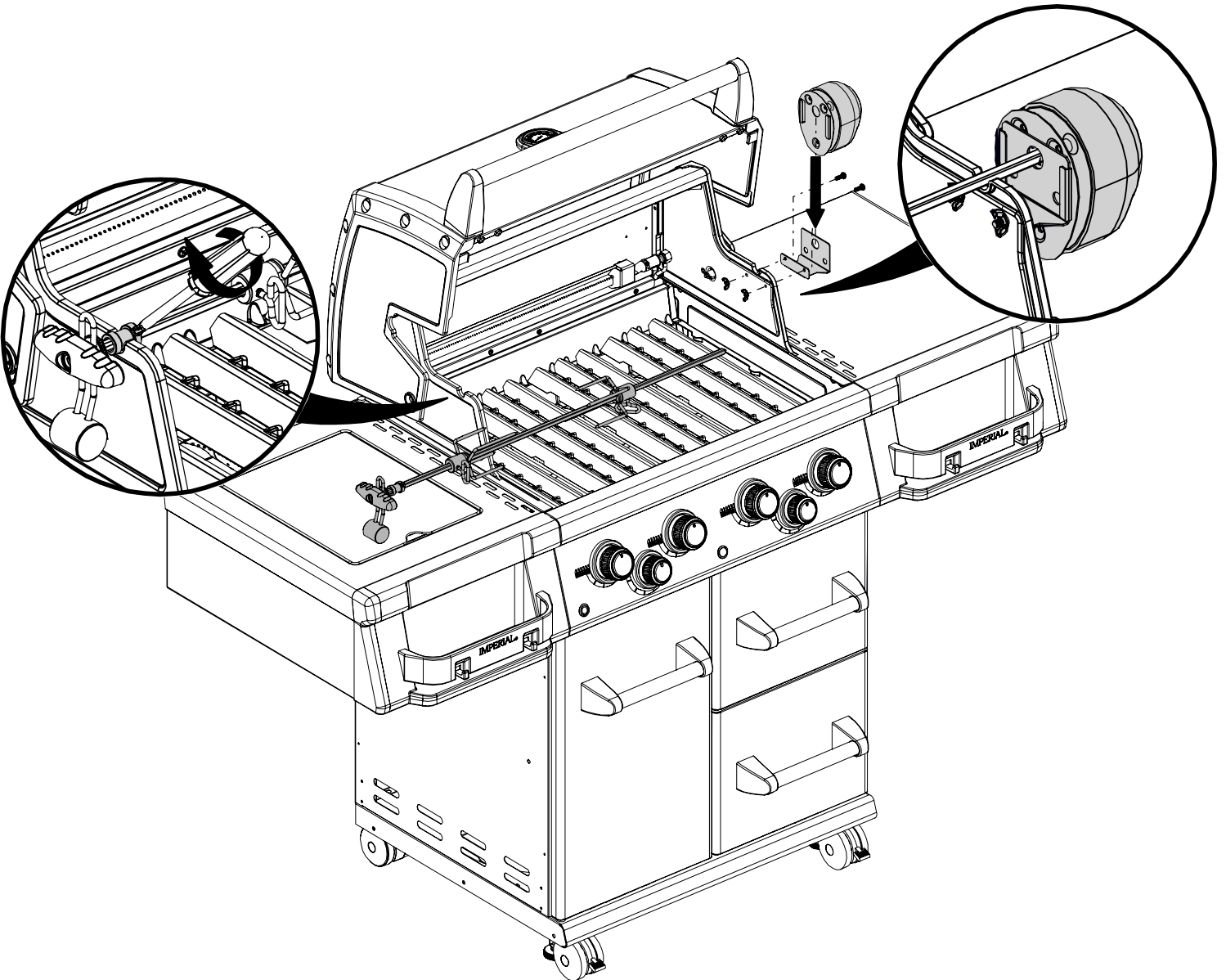
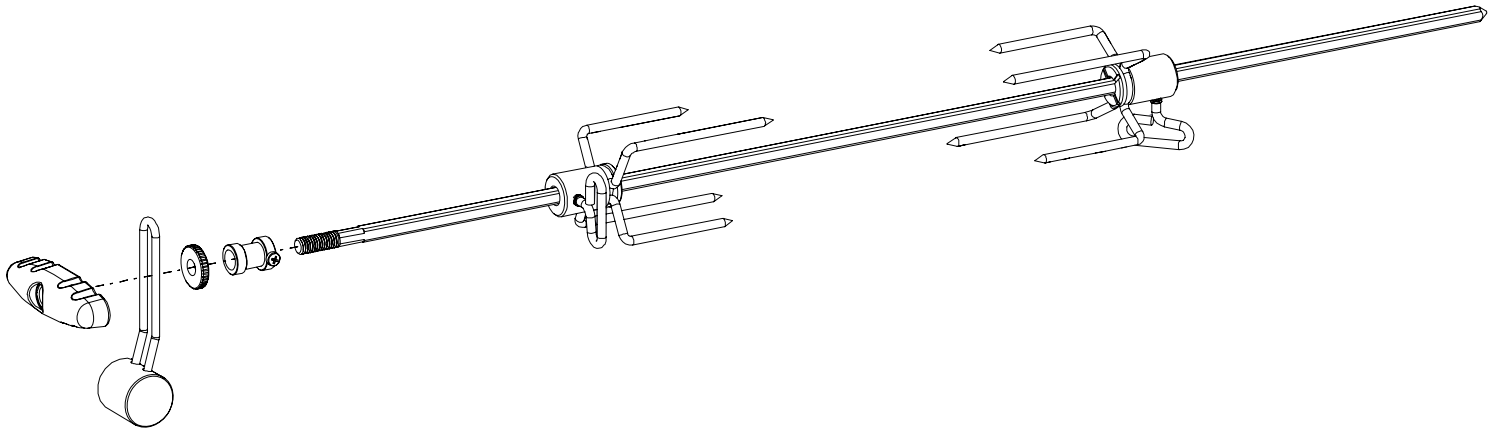
11

(1)  (1)



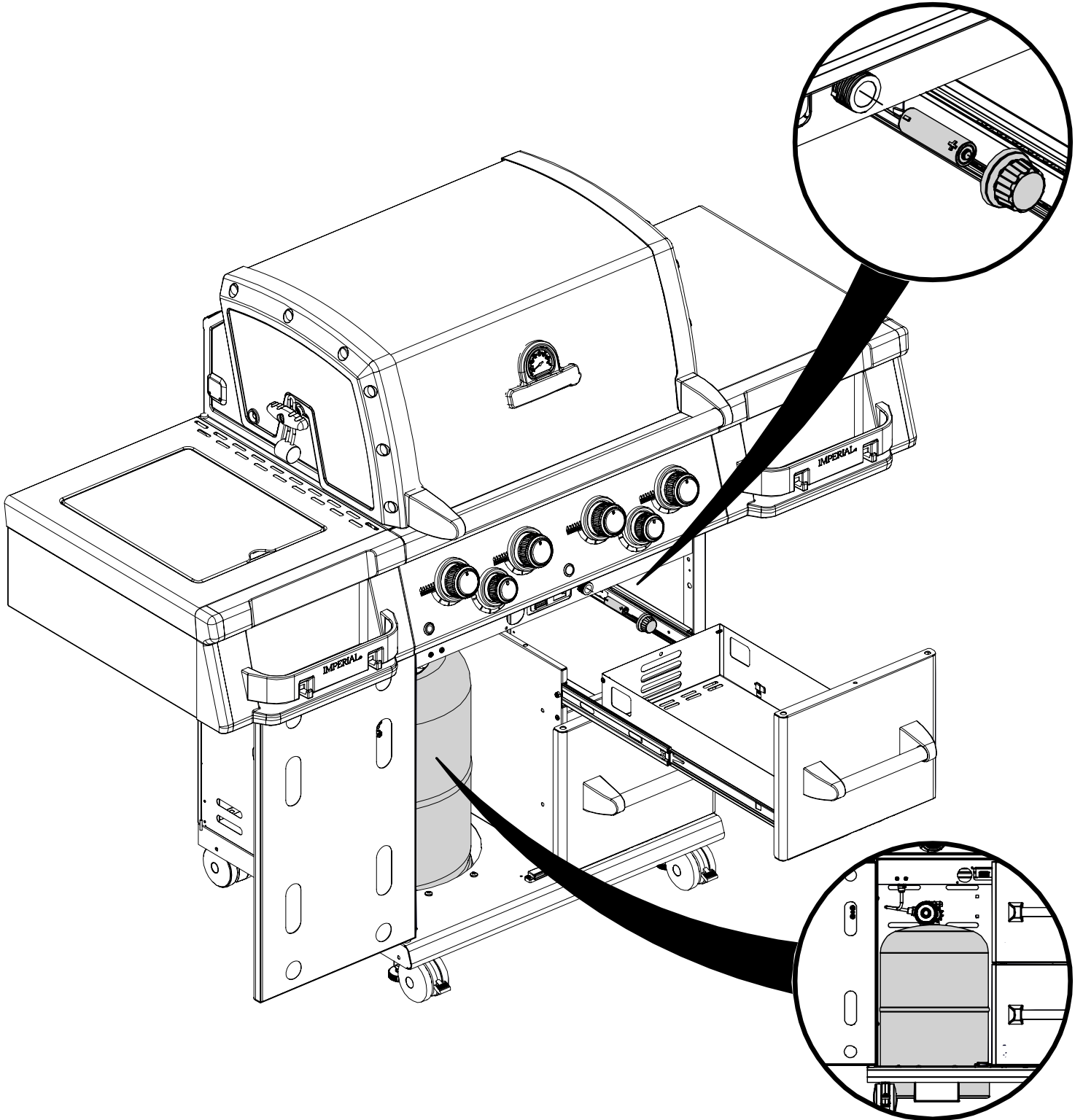
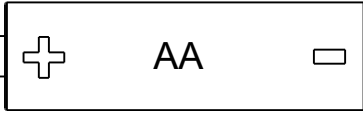
12

(2)  (2) 



13

(1)



PARTS LIST / LISTE DES PIECES

<u>KEY #</u>	<u>ITEM #</u>	<u>DESCRIPTION</u>	<u>9568-82DE</u>	<u>9568-83EU</u>	<u>9568-83UK</u>	<u>9568-86UK</u>
			<u>9968-82DE</u>	<u>9996-83EU</u>	<u>9968-83UK</u>	<u>9968-86UK</u>
1	27005-703	FIRE BOX ASSEMBLY	1	1	1	1
2	86005-303	LID ASSEMBLY	1	1	1	1
5	27249-904	GREASE SHIELD	4	4	4	4
7	Y-11544	SCREW - BURNER	4	4	4	4
8	S21242	HITCH PIN CLIP	4	4	4	4
18	22005-283	CAST S.S. GRID	4	4	4	4
20	22005-991	GRID - WARMING RACK	1	1	1	1
22	22025-904	COLLECTOR BOX	1	1	1	1
25	22909-104D	BURNER	1	•	•	•
	22909-104E	BURNER	•	1	1	•
	22909-104NGE	BURNER	•	•	•	1
26	22001-769	CONTROL KNOB	4	4	4	4
26A	22001-669	CONTROL KNOB	2	2	2	2
27	22002-264	CONTROL BEZEL	4	4	4	4
27A	22001-164	CONTROL BEZEL	2	2	2	2
28	22025-493	CONTROL COVER	1	1	1	1
32	10111-15A	CORRUGATED STEEL HOSE	1	1	1	1
34	S13473-073	HOSE-SIDE BURNER	1	•	•	•
	S13473-079	HOSE-SIDE BURNER	•	1	1	•
	S12473-109	HOSE-SIDE BURNER	•	•	•	1
34A	Y-11230	COTTER PIN	1	1	1	1
35	29005-072	CONTROL ASSEMBLY	1	•	•	•
	29005-073	CONTROL ASSEMBLY	•	1	1	•
	29005-076	CONTROL ASSEMBLY	•	•	•	1
36	10342-T21	ELECTRODE – SIDE BURNER	1	1	1	1
37	20809-957	TUBE-REAR BURNER ASSY	1	1	1	1
38	Y-11990	HEX NUT	1	1	1	1
43	10342-E13	ELECTRODE	2	2	2	2
44	10342-44	ELECTRONIC IGNITOR	1	1	1	1
44A	25070-92	WIRE - IGNITOR	1	1	1	1
44B	25070-93	BUTTON -IGNITOR	1	1	1	1
47	21035-991	GREASE RAIL	2	2	2	2
48	22009-901	GREASE PAN	1	1	1	1
49	27055-901	GREASE TRAY	1	1	1	1
51	22209-904	FLAV-R-WAVE ®	4	4	4	4
56	24005-239	HANDLE	1	1	1	1
58	26009-917	HANDLE END CAP	2	2	2	2
58A	24009-938	HANDLE STANDOFF	2	2	2	2
59	10081-BK630	NAMEPLATE	1	1	1	1
60	10571-6	HEAT INDICATOR	1	1	1	1
65	20005-000	MATCH LIGHT - STICK	1	1	1	1
68	23275-133A	DOOR	1	1	1	1
70	21079-906	HANDLE END CAP	6	6	6	6
71	21171-23	HANDLE - SMALL	3	3	3	3
74	Y-99100	DRAWER SLIDE	2	2	2	2
77	21165-113A	DRAWER ASSEMBLY	2	2	2	2
78	21335-111	BRACKET - DOOR CATCH	1	1	1	1
80	21109-905R	SIDE PANEL	2	2	2	2
83	21065-901R	DRAWER CENTER MOUNT	1	1	1	1
84	21069-901	DRAWER SUPPORT	1	1	1	1
88	21305-925R	PANEL - REAR	1	1	1	1
90	21795-935	BASE	1	1	1	1
100	21039-911	BRACKET – CASTOR SUPPORT	2	2	2	2
101	21039-301	TANK SUPPORT	1	1	1	1
102	10892-23	CASTOR	2	2	2	2
102A	10892-285	CASTOR	2	2	2	2
114	23102-813	SHELF ASSEMBLY - RH	1	1	1	1
115	23102-853	SHELF ASSEMBLY - LH	1	1	1	1
123	Y-12117	SIDE BURNER LID BUSHING	2	2	2	2
124	23000-271	SIDE BURNER BODY	1	1	1	1

PARTS LIST / LISTE DES PIECES

<u>KEY #</u>	<u>ITEM #</u>	<u>DESCRIPTION</u>	<u>9568-82DE</u>	<u>9568-83EU</u>	<u>9568-83UK</u>	<u>9568-86UK</u>
			<u>9968-82DE</u>	<u>9996-83EU</u>	<u>9968-83UK</u>	<u>9968-86UK</u>
125	23000-253	SIDE BURNER COVER	1	1	1	1
126	10390-R81D	SIDE BURNER	1	•	•	•
	10390-R81A	SIDE BURNER	•	1	1	1
128	23009-99	SIDE BURNER GRID	1	1	1	1
130	27905-354E	BURNER ROTISSERIE	1	1	1	1
131	10693-099	REAR BURNER-ORIFICE	1	•	•	•
	10693-132	REAR BURNER-ORIFICE	•	1	1	•
	10693-109	REAR BURNER-ORIFICE	•	•	•	1
133	S15271	HANDLE	1	1	1	1
134	S15270	BALANCER	1	1	1	1
135	S15299	WASHER	1	1	1	1
136	S15263	BUSHING	1	1	1	1
137	S15256	SPIT ROD	1	1	1	1
138	S15287	4 PRONG FORKS	1	1	1	1
139	57039-901	ROTISSERIE BRACKET	1	1	1	1
140	S21125	SCREW #8 X 1/2	8	8	8	8
141	Y-12310	SCREW 1/4-20 X 3/4	8	8	8	8
144	Y-12220	BUSHING	1	1	1	2
145	S21235	HINGE PIN	2	2	2	2
146	S21233	HITCH PIN CLIP	2	2	2	2
147	Y-11231	LID BUMPER	2	2	2	2
148	10240-20	DOOR PIN	1	1	1	1
149	Y-11551	DOOR PIN - 1/4-20 X 1	1	1	1	1
150	Y-12124	DOOR PIN CAP	1	1	1	1
151	Y-11567	SCREW M8 SHOULDER	4	4	4	4
152	Y-12222	MAGNET	1	1	1	1
153	Y-12223	SNAP IN MAGNET	1	1	1	1
154	Y-11560	SCREW 1/4-20 X 1-1/2	8	8	8	8
155	S21124	SCREW #8 X 1/2	18	18	18	18
156	Y-11793	NUT 1/4-20	8	8	8	8
157	Y-12835	SCREW #6-32 X 1/4	2	2	2	2
158	Y-12641	SCREW - SHOULDER #8 X 1/2	2	2	2	2
159	S21136	SCREW #8-32 X 3/8	12	12	12	12
160	Y-29304	SCREW #10-24 X 3/8	2	2	2	2
161	Y-29310	SCREW #10-24 X 3/4	4	4	4	4
163	S35094	SCREW #10-24 X 5/8	1	1	1	1
164	S21084	SCREW #14 X 5/8	4	4	4	4
168	Y-11208	LOCK WASHER	2	2	2	2
169	S21061	WING NUT	2	2	2	2
170	Y-12084	NUT - 10-24	6	6	6	6
171	S15246	MOTOR	1	1	1	1
172	S15508	REAR BURNER ELECTRODE	1	1	1	1
173	S21362	SPRING	1	1	1	1
174	Y-12871	SCREW M4 X 0.7	2	2	2	2
176	Y-29307	NUT #10-24	2	2	2	2
180	S35095	SCREW #10-24 X 5/8	2	2	2	2
181	25070-91	WIRE - TRANSFORMER	1	1	1	1
181A	25070-95	LIGHT SWITCH	1	1	1	1
182	25020-71	OVEN LIGHT	2	2	2	2
184	25080-90EU	TRANSFORMER	1	1	•	•
	25080-90UK	TRANSFORMER	•	•	1	1
185	25030-72	WIRE - OVEN LIGHT	1	1	1	1
186	Y-12865	BOLT 1/4-20 X 1/2	32	32	32	32
190	25020-83	WIRE - LED LIGHT	1	1	1	1
191	25020-83	WIRE - LED LIGHT	1	1	1	1
192	Y-29306	SCREW #10-24 X 3/4	4	4	4	4
193	SP11-25	LID BUMPER	2	2	2	2

